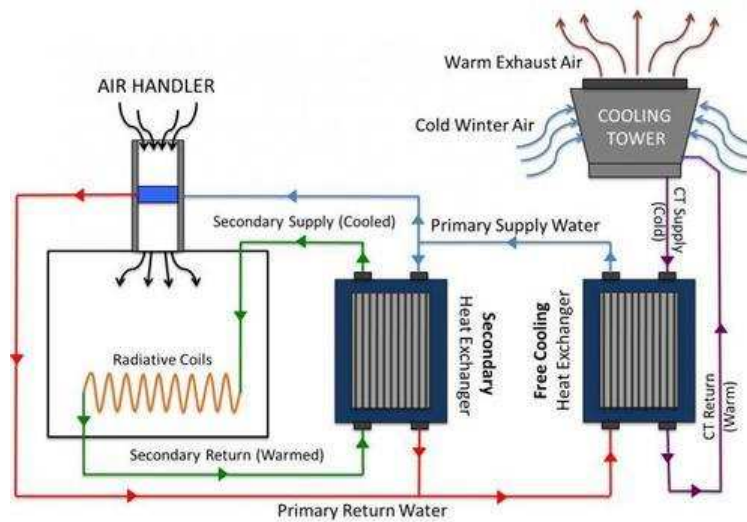


FREE COOLING SYSTEM



Free Cooling System

Day by day Energy cost in India is going up according to the global scenario. Energy conservation by saving energy and utilization of resources which are freely available from the nature has paramount importance. We are not only saving money by doing so, but also saving the environment and the other natural resources by sparing it for others.

Maintaining Temperature of a given area to a particular range is must for many applications round the clock for 365 days. Such as, processing requirements, warehouses, Engineering shop floors, Telecom and IT sectors etc.

Mother Nature is transforming its conditions of ambient, according to the Geographical conditions & seasons. By utilizing the low outside ambient air for cooling any application is considered as free cooling arrangement.

Range of Flame and Explosion Proof Chiller – 1 TR to 20 TR (Air Cooled & Water Cooled)

Salient Features:

- Easy to install & Incorporate in existing system
- Durable & Energy conservative
- High performance
- Quality assured